

ANGO

SCULPTURAL
SUSTAINABLE
HANDCRAFTED
LIGHTING

www.angoworld.com





Angus Hutcheson

What makes Ango original

Chief designer, Ango

“observing, dreaming, experimenting, developing some more and then realising with light”

Angus is a British designer based in Thailand for the last ten years, dedicated to working with light. Forging new forms, using materials that were to hand, many of them natural, the Ango collection was gradually built up, and gained recognition in Thailand and internationally, with a string of awards and special pieces being shown at the Museum of Arts and Design in New York, the Hara Museum in Tokyo, and V.I.A in Paris.

Angus graduated in architecture with Honours at the Architectural Association in London.



Life + experiments

Where we're coming from?

We start from doing what we love, developing our own designs, and then creating teams to handcraft and realise each type of production. Connecting electric dreams with originality and sophistication, we create lighting and light fantasies that are uplifting and unique.



How we develop and create our designs

Working at the intersection between design, materials development and innovative production processes, all of the light diffuser materials we work with has its own character and is either a “found” natural one, or a composite / natural material developed by experimentation. We observe and investigate what’s possible with sometimes accidental or unpredicted outcomes.

The whole low impact / low energy intensive process of how we create our designs also represents our view of how enlightened, environmentally responsible 21st century design and production can be. The energy, purity and truthfulness of light is our starting point, creating design pieces with love that we hope will fulfill your space with light energy.

“Be what you seem to be”



Journeys in material exploration

Material

"Each material has its own character so I concentrate on creating the diffuser that is unique in how it refracts and reflects light"

Forging new forms, often using materials that were to hand, many of them natural, the whole low impact / low energy intensive process of how Anjo designs are realised also represents a view of how enlightened, environmentally responsible 21st century design and production can be.



Silk cocoon

Natural colour

The cocoon is composed of silk that is made in glands within the body of the silkworm. In commercial silk farming, silk thread (usually totaling hundreds of metres from each cocoon) is spun off from the cocoons after they've been boiled, but we are using the totally unprocessed cocoons.

The diffuser is formed of a random configuration of silk cocoons, each of which is attached to a hand soldered wire matrix. The process starts by attaching the silk cocoons to strands of wire. The first strands are then attached to a hand brushed stainless steel frame, and the layers of silk cocoon slowly built up, checking the overall form of the piece all along the way.

The colour of the material is a soft white that yellows a little with age. To clean diffusers in this material, we recommend that they be dusted or lightly vacuumed. The diffuser can also be removed and taken to a specialist dry cleaner.



Silk cocoon

Cherry red colour

The cocoon is composed of silk that is made in glands within the body of the silkworm. In commercial silk farming, silk thread (usually totaling hundreds of metres from each cocoon) is spun off from the cocoons after they've been boiled, but we are using the totally unprocessed cocoons.

The diffuser is formed of a random configuration of silk cocoons, each of which is attached to a hand soldered wire matrix. The process starts by attaching the silk cocoons to strands of wire. The first strands are then attached to a hand brushed stainless steel frame, and the layers of silk cocoon slowly built up, checking the overall form of the piece all along the way.

The colour of the material is a soft white that yellows a little with age. To clean diffusers in this material, we recommend that they be dusted or lightly vacuumed. The diffuser can also be removed and taken to a specialist dry cleaner.



Silk cocoon

Ebony colour

The cocoon is composed of silk that is made in glands within the body of the silkworm. In commercial silk farming, silk thread (usually totaling hundreds of metres from each cocoon) is spun off from the cocoons after they've been boiled, but we are using the totally unprocessed cocoons.

The diffuser is formed of a random configuration of silk cocoons, each of which is attached to a hand soldered wire matrix. The process starts by attaching the silk cocoons to strands of wire. The first strands are then attached to a hand brushed stainless steel frame, and the layers of silk cocoon slowly built up, checking the overall form of the piece all along the way.

The colour of the material is a soft white that yellows a little with age. To clean diffusers in this material, we recommend that they be dusted or lightly vacuumed. The diffuser can also be removed and taken to a specialist dry cleaner.



Mulberry tree bark

The branches of the mulberry shrubs are harvested in the autumn, and the innermost layer of bark (white bark) is stripped from the timber and boiled in a mixture of water and soda ash. The strips are then beaten by hand until they have been well separated.

The diffuser is formed by hand sewing each of the prepared clusters of fiber to a cotton grid, which has been fastened to the base structure.

The colour of the material is a soft white that yellows a little with age. To clean diffusers in this material, we recommend that they be dusted or lightly vacuumed.



Rattan

From strands of rattan, the skin is peeled off and the remaining "core" of the rattan is formed into 1 mm diameter wires in an extrusion process.

The rattan wires are then formed into diffusers starting with a base structure, and using the random weave technique that we've developed.

The colour of the extruded material is a soft yellow that deepens a little with age. To clean diffusers in this material, we recommend that they be dusted or lightly vacuumed.



Hand soldered wire matrix interwoven metalised thread

This lighting diffuser material consists of a hand soldered steel wire matrix which is then nickel coated, before being interwoven with metalised thread.

The colour of the material is a lustrous silver colour. To clean diffusers in this material, we recommend that they be lightly vacuumed or dusted with a dry duster, and they can also be very gently washed in warm water.



Hand soldered wire matrix

Nickel plated

This material comprises a self supporting hand soldered steel wire matrix which is then coated with nickel.

The colour of the material in nickel finish is a warm silver colour, while the gold finish is a yellowish hue.

To clean items in this material, we recommend that they be lightly vacuumed or dusted with a dry duster, and they can also be very gently washed in warm water.



Hand soldered wire matrix

Gold plated

This material comprises a self supporting hand soldered steel wire matrix which is then coated with gold.

The colour of the material in nickel finish is a warm silver colour, while the gold finish is a yellowish hue.

To clean items in this material, we recommend that they be lightly vacuumed or dusted with a dry duster, and they can also be very gently washed in warm water.

Material from Ango Lab

Recycled & Upcycled materials



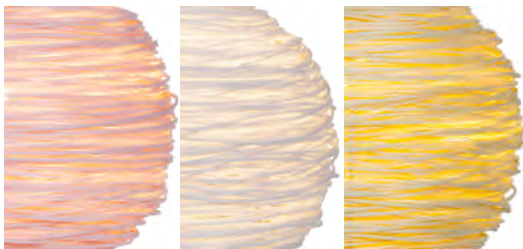
TRANSCENDENCE SERIES MATERIAL

Created with mulberry paper and recycled fishing net that are then transformed with a 100% organic medium into an advanced highly translucent and durable composite material.



FLOW SERIES MATERIAL

Recycled fishing net interwoven with stainless steel and stabilised in weather resistant medium to create an advanced composite material for indoor / outdoor use in lighting.



SHELTER SERIES MATERIAL

Recycled UV resistant polypropylene in differing colours that has been upscaled and developed for indoor / outdoor use in lighting. There are 3 colour options; Pink / White / Yellow



The intersection of function and electric dreams

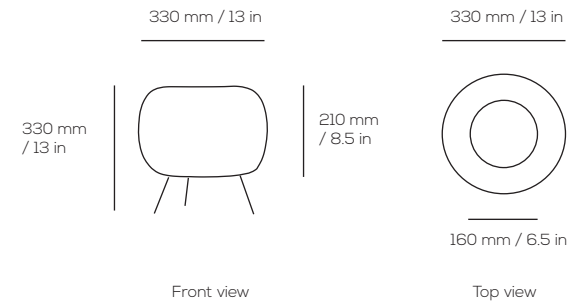
ANGO Designs



Table Light
Anjo Designs

Product name : Nest
Product ref : TL04001

Type : Mains voltage table light
Lamp base type : E27/E26 screw fitting
Lamp type : LED Filament 8W
Diffuser material : Rattan
Base Material : Hand finished stainless steel
Size : 300 mm W x 300 mm D x 330 mm H
12 in W x 12 in D x 13 in H
Packaging size : 450 mm W x 400 mm D x 350 mm H
17.5 in W x 15.5 in D x 13.5 in H

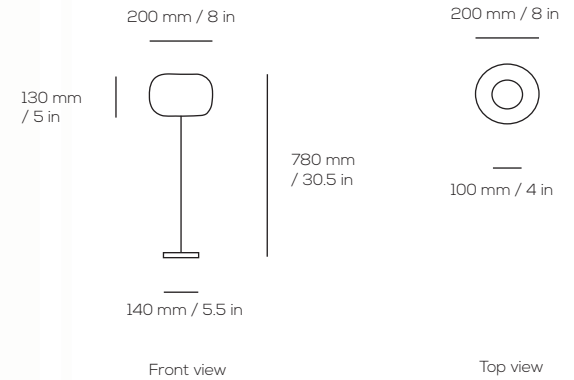




ANGO
www.angoworld.com

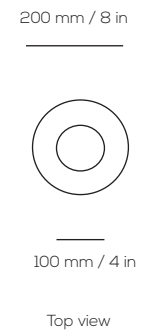
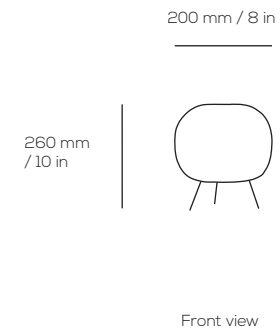
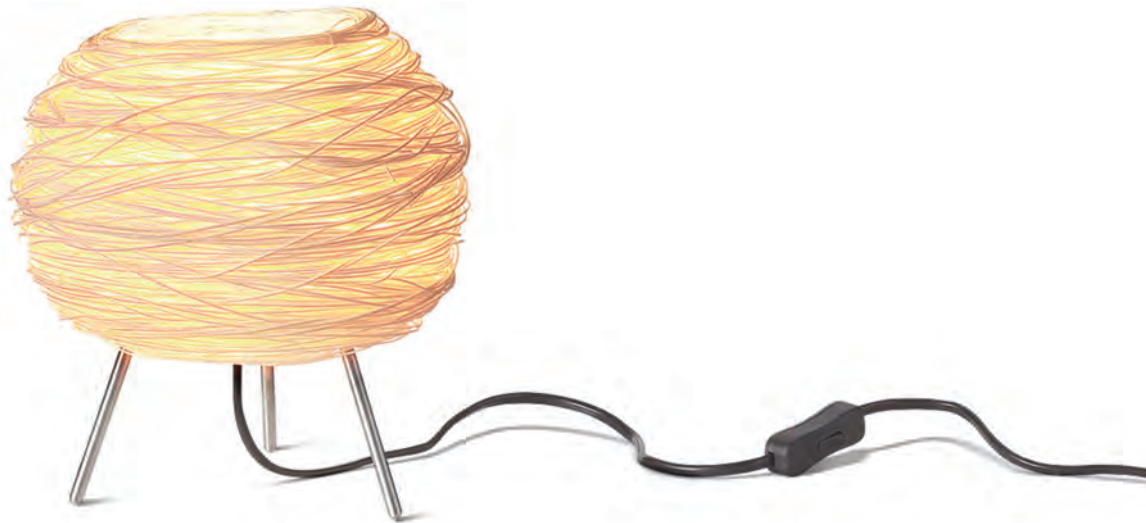
Product name : Wand Nest
Product ref : TL04002

Type : Mains voltage table light
Lamp base type : E27/E26 screw fitting
Lamp type : LED Filament 4W ball
Diffuser material : Rattan
Base Material : Hand finished stainless steel
Size : 200 mm W x 200 mm D x 780 mm H
8 in W x 8 in D x 30.5 in H
Packaging size : 800 mm W x 280 mm D x 280 mm H
31.5 in W x 11 in D x 11 in H



Product name : Jr. Nest
Product ref : TL05008

Type : Mains voltage table light
Lamp base type : E27/E26 screw fitting
Lamp type : LED Filament 4W ball
Diffuser material : Rattan
Base Material : Hand finished stainless steel
Size : 200 mm W x 200 mm D x 260 mm H
8 in W x 8 in D x 10 in H
Packaging size : 280 mm W x 280 mm D x 280 mm H
11 in W x 11 in D x 11 in H

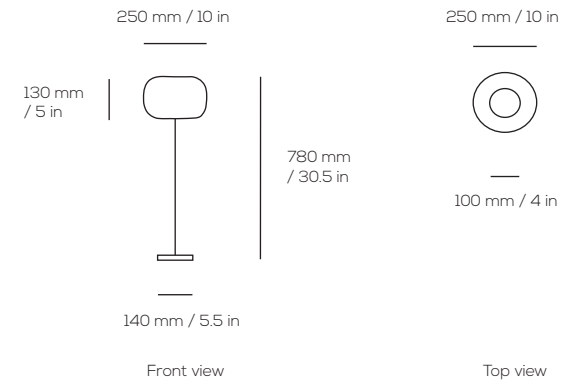




ANGO
www.angoworld.com

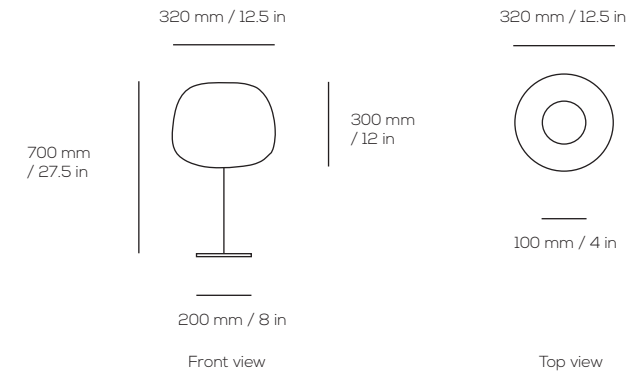
Product name : Heaven Wand
Product ref : TL06011

Type : Mains voltage table light
Lamp base type : E27/E26 screw fitting
Lamp type : LED Filament 4W ball
Diffuser material : Mulberry tree bark
Base Material : Hand finished stainless steel
Size : 250 mm W x 250 mm D x 780 mm H
10 in W x 10 in D x 30.5 in H
Packaging size : 800 mm W x 280 mm D x 280 mm H
31.5 in W x 11 in D x 11 in H



Product name : My Chrysalis
Product ref : TL06012

Type : Mains voltage table light
Lamp base type : E27/E26 screw fitting
Lamp type : LED Filament 8W
Diffuser material : Silk cocoon (natural colour)
Base Material : Hand finished stainless steel
Size : 320 mm W x 320 mm D x 700 mm H
12.5 in W x 12.5 in D x 27.5 in H
Packaging size : 750 mm W x 450 mm D x 450 mm H
29.5 in W x 17.5 in D x 17.5 in H

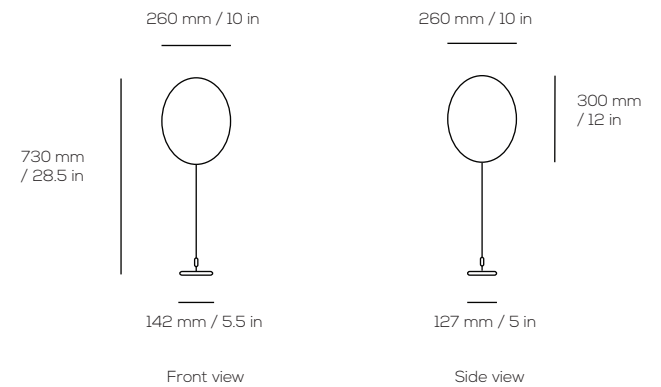




ANGO
www.angoworld.com

Product name : Cascadence (table)
Product ref : TL10025

Type : Mains voltage table light
Lamp base type : G9
Lamp type : G9 LED Filament 3W
Diffuser material : Silk cocoon (natural colour)
Base material : Hand finished stainless steel
Size : 260 mm W x 260 mm D x 730 mm H
10 in W x 10 in D x 28.5 in H
Packaging size : 300 mm W x 800 mm D x 300 mm H
12 in W x 31.5 in D x 12 in H

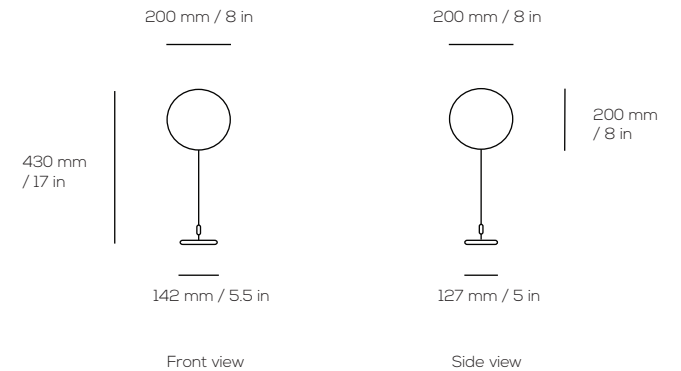




ANGO
www.angoworld.com

Product name : Globette-EV
Product ref : TL12032

Type : Mains voltage table light
Lamp base type : G9
Lamp type : G9 LED Filament 3W
Diffuser material : Silk cocoon (natural colour)
Base material : Hand finished stainless steel
Size : 200 mm W x 200 mm D x 430 mm H
8 in W x 8 in D x 17 in H
Packaging size : 230 mm W x 450 mm D x 230 mm H
9 in W x 18 in D x 9 in H



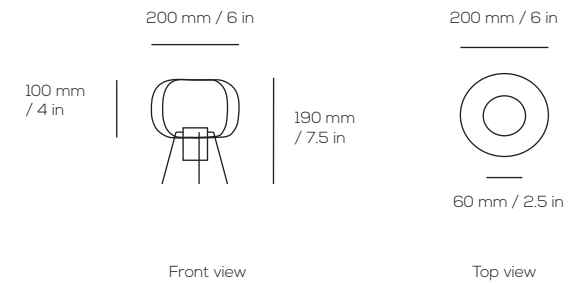
Thailand - Japan Design Award Partnership



ANGO
www.angoworld.com

Product name : Halo-ette
Product ref : TL19045

Type : Mains voltage table light
Lamp base type : E27/E26 screw fitting
Lamp type : LED Filament 4W
Diffuser material : Handworked steel + brass
Base Material : Hand finished stainless steel with brass
Size : 160 mm W x 160 mm D x 190 mm H
6 in W x 6 in D x 7.5 in H
Packaging size : 200 mm W x 200 mm D x 300 mm H
8 in W x 8 in D x 12 in H



Product name : Transcendence table

Product ref : TL23047

Type : Mains voltage table light

Lamp base type : E27/E26 screw fitting

Lamp type : LED Filament 6W

Diffuser material : Advanced composite material created with
mulberry fibre and recycled fishing net

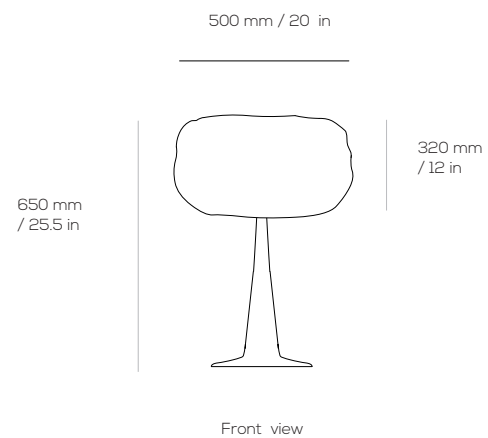
Base material : Wooden base

Size : 500 mm W x 320 mm D x 650 mm H

20 in W x 12 in D x 25.5 in H

Packaging size : 550 mm W x 550 mm D x 700 mm H

21.5 in W x 21.5 in D x 27.5 in H



ANGO
www.angoworld.com

Product name : Shelter table

Product ref : TL23048

Type : Mains voltage table light

Lamp base type : E27/E26 screw fitting

Lamp type : LED G45 filament 4W

Diffuser material : Recycled polypropylene + steel

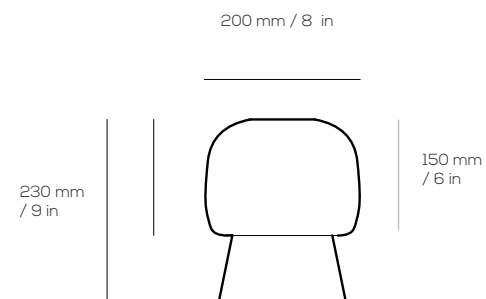
Base material : Powder coated steel

Size : 200 mm W x 150 mm D x 230 mm H

8 in W x 6 in D x 9 in H

Packaging size : 280 mm W x 280 mm D x 280 mm H

11 in W x 11 in D x 11 in H



Front view



Floor Light

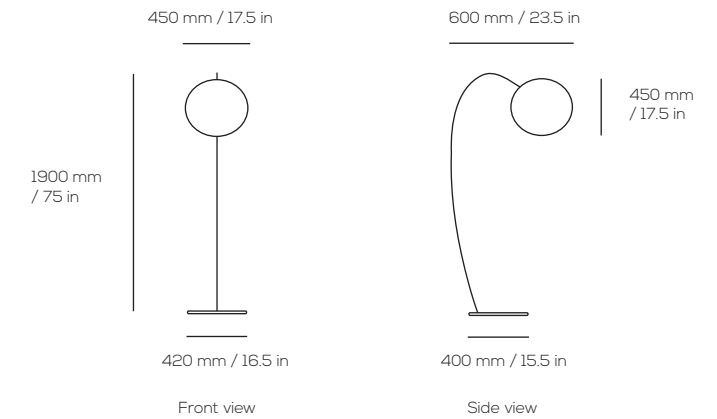
Ango Designs

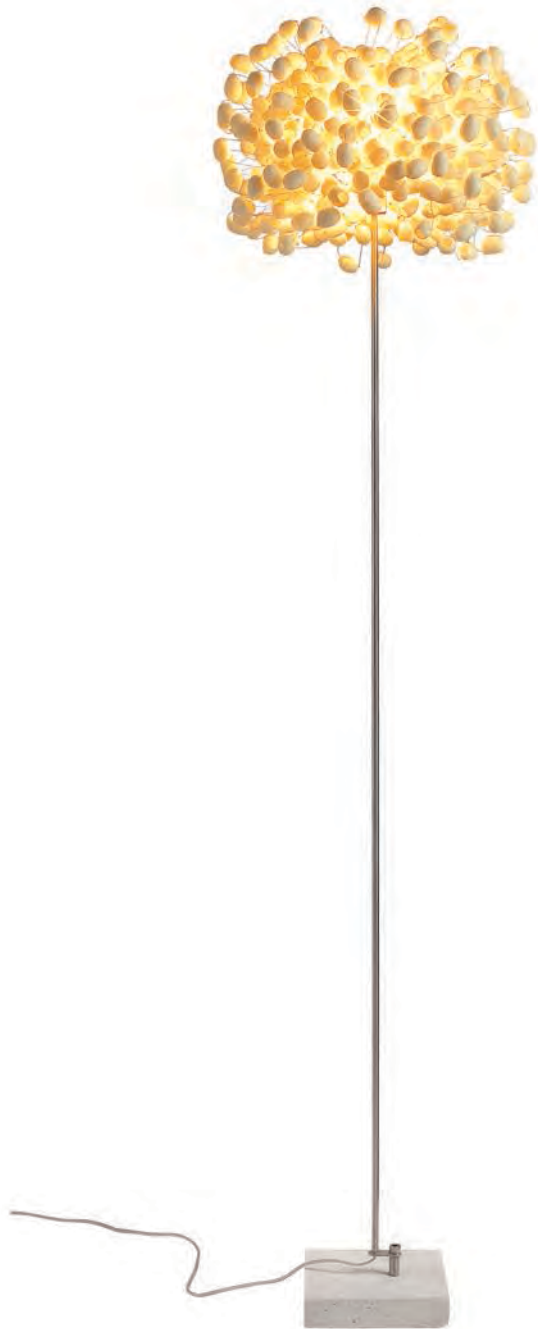


ANGO
www.angoworld.com

Product name : Chrysalis Sky
Product ref : FL04002

Type : Mains voltage floor light
Lamp base type : E27/E26 screw fitting
Lamp type : LED Filament 8W
Diffuser material : Silk cocoon (natural colour)
Base Material : Hand finished stainless steel
Size : 450 mm W x 600 mm D x 1900 mm H
17.5 in W x 23.5 in D x 75 in H
Packaging size : 1300 mm W x 600 mm D x 560 mm H
51 in W x 23.5 in D x 22 in H

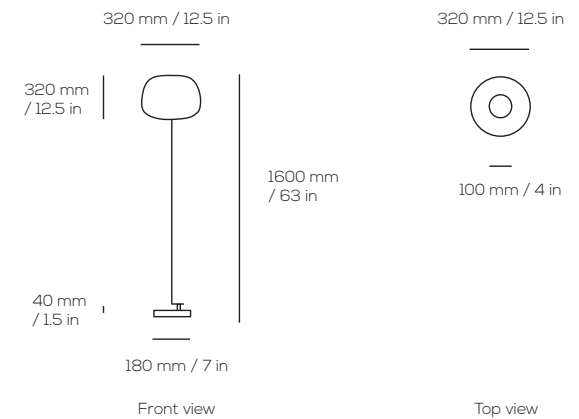




ANGO
www.angoworld.com

Product name : White Space
Product ref : FL05004

Type : Mains voltage floor light
Lamp base type : E27/E26 screw fitting
Lamp type : LED Filament 8W
Diffuser material : Silk cocoon (natural colour)
Base Material : Concrete + hand finished stainless steel
Size : 320 mm W x 320 mm D x 1600 mm H
12.5 in W x 12.5 in D x 63 in H
Packaging size : 1700 mm W x 460 mm D x 460 mm H
67 in W x 18 in D x 18 in H

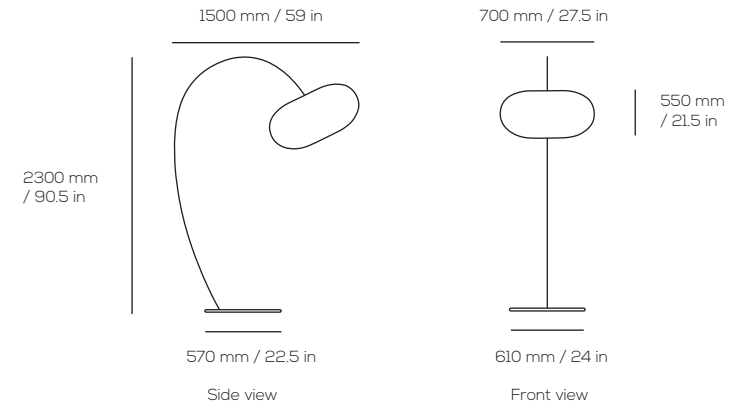




ANGO
www.angoworld.com

Product name : Ebony Sky
Product ref : FL07011

Type : Mains voltage floor light
Lamp base type : E27/E26 screw fitting
Lamp type : LED Filament 8W
Diffuser material : Silk cocoon (ebony black)
Base Material : Hand finished stainless steel
Size : 700 mm W x 1500 mm D x 2300 mm H
27.5 in W x 59 in D x 90.5 in H
Packaging size : 1200 mm W x 2900 mm D x 700 mm H
47 in W x 114 in D x 27.5 in H

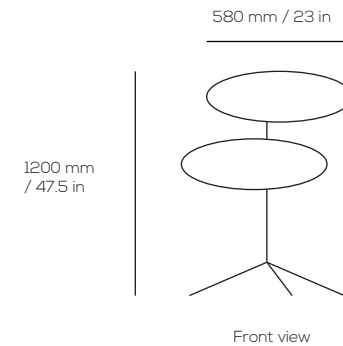




ANGO
www.angoworld.com

Product name : Double World
Product ref : FL15022

Type : Mains voltage floor light
Lamp base type : E27/E26 screw fitting
Lamp type : LED Filament 8W x 6
Diffuser material : Rattan
Base Material : Hand finished stainless steel with powder coat
Size : 580 mm W x 580 mm D x 1200 mm H
23 in W x 23 in D x 47.5 in H
Packaging size : 680 mm W x 1250 mm D x 680 mm H
26.5 in W x 49 in D x 26.5 in H

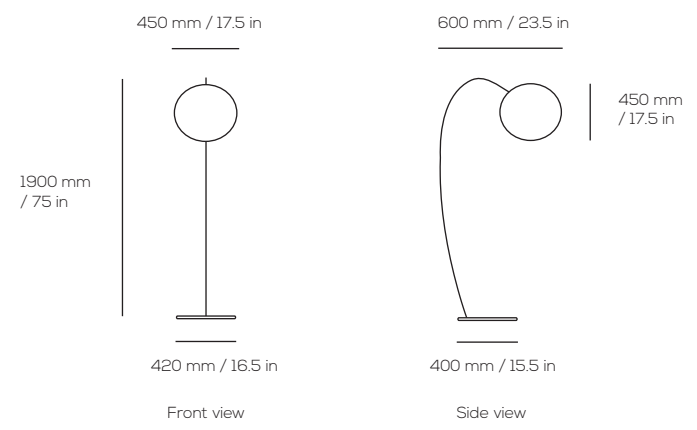




ANGO
www.angoworld.com

Product name : Chrysalis Sky Copper
Product ref : FL16023

Type : Mains voltage floor light
Lamp base type : E27/E26 screw fitting
Lamp type : LED Filament 8W
Diffuser material : Silk cocoon (natural colour)
Base Material : Hand finished stainless steel with copper
Size : 450 mm W x 600 mm D x 1900 mm H
17.5 in W x 23.5 in D x 75 in H
Packaging size : 1300 mm W x 600 mm D x 560 mm H
51 in W x 23.5 in D x 22 in H

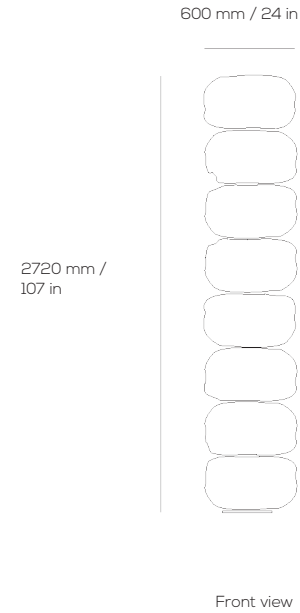




ANGO
www.angoworld.com

Product name : Transcendence Tower
Product ref : FL23029

Type : Mains voltage floor light
Lamp type : LED A60 filament 6W x 8
Diffuser material : Advanced composite material created with mulberry fibre and recycled fishing net
Base material : Hand finished stainless steel + White powder coat
Size : 600 mm W x 600 mm D x 2720 mm H
24 in W x 24 in D x 107 in H
Packing size : 650 mm W x 650 mm D x 2770 mm H
25.5 in W x 25.5 in D x 109 in H





Ceiling Light

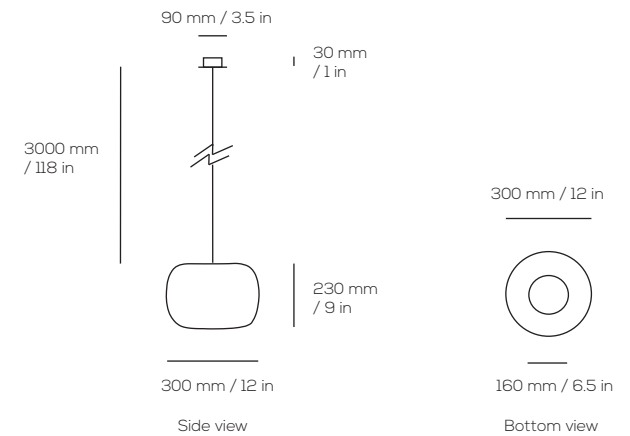
Ango Designs



ANGO
www.angoworld.com

Product name : Hanging Nest (large)
Product ref : CL04001

Type : Mains voltage ceiling light
Lamp base type : E27/E26 screw fitting
Lamp type : LED Filament 8W
Diffuser material : Rattan
Base Material : Hand finished stainless steel
Size : 300 mm W x 300 mm D x 230 mm H
12 in W x 12 in D x 9 in H
Packaging size : 380 mm W x 380 mm D x 260 mm H
14.5 in W x 14.5 in D x 10 in H

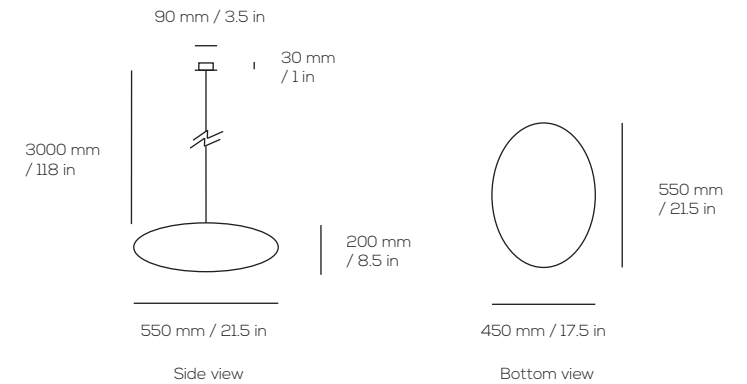




ANGO
www.angoworld.com

Product name : Hanging World
Product ref : CL04003

Type : Mains voltage ceiling light
Lamp base type : E27/E26 screw fitting
Lamp type : LED Filament 8W
Diffuser material : Rattan
Base Material : Hand finished stainless steel
Size : 450 mm W x 550 mm D x 200 mm H
17.5 in W x 21.5 in D x 8.5 in H
Packaging size : 600 mm W x 700 mm D x 350 mm H
23.5 in W x 27.5 in D x 13.5 in H

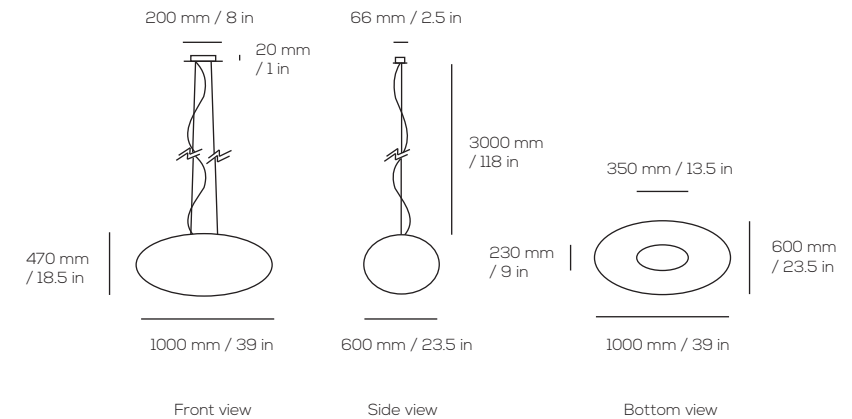




ANGO
www.angoworld.com

Product name : Paradise
Product ref : CL06008

Type : Mains voltage ceiling light
 Lamp base type : E27/E26 screw fitting
 Lamp type : LED Filament 8W x 2
 Diffuser material : Silk cocoon (natural colour)
 Base Material : Hand finished stainless steel
 Size : 1000 mm W x 600 mm D x 470 mm H
 39 in W x 23.5 in D x 18.5 in H
 Packaging size : 1100 mm W x 700 mm D x 570 mm H
 43 in W x 27.5 in D x 22.5 in H

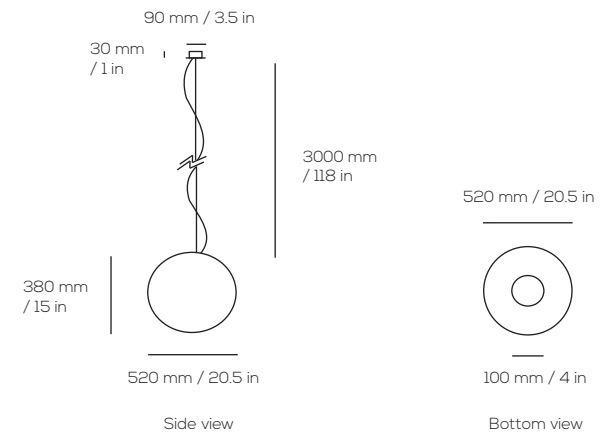




ANGO
www.angoworld.com

Product name : Midnight Moon
Product ref : CL06012

Type : Mains voltage ceiling light
Lamp base type : E27/E26 screw fitting
Lamp type : LED Filament 8W
Diffuser material : Silk cocoon (ebony black)
Base Material : Hand finished stainless steel
Size : 520 mm W x 520 mm D x 380 mm H
20.5 in W x 20.5 in D x 15 in H
Packaging size : 550 mm W x 550 mm D x 400 mm H
21.5 in W x 21.5 in D x 16 in H

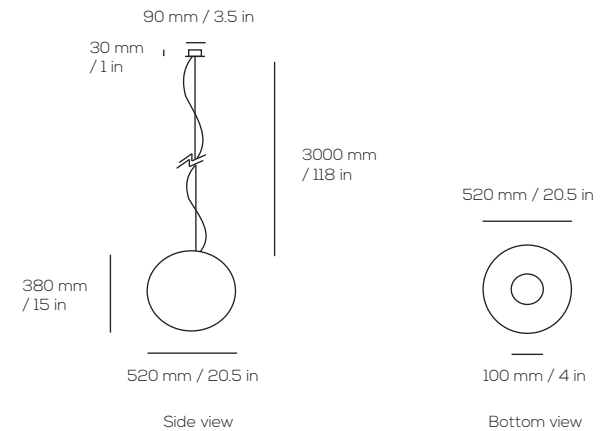




ANGO
www.angoworld.com

Product name : Full Moon
Product ref : CL07013

Type : Mains voltage ceiling light
Lamp base type : E27/E26 screw fitting
Lamp type : LED Filament 8W
Diffuser material : Silk cocoon (natural colour)
Base Material : Hand finished stainless steel
Size : 520 mm W x 520 mm D x 380 mm H
20.5 in W x 20.5 in D x 15 in H
Packaging size : 550 mm W x 550 mm D x 400 mm H
21.5 in W x 21.5 in D x 16 in H

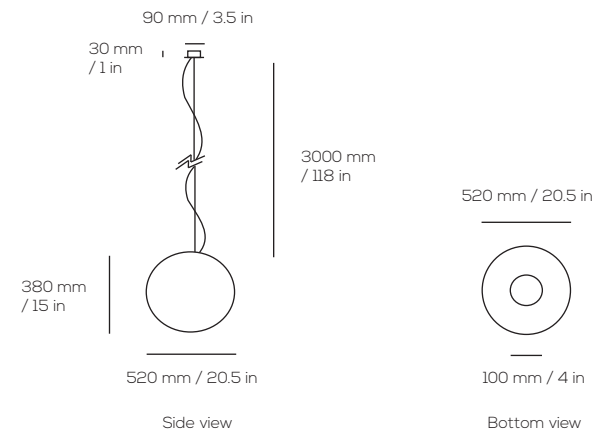




ANGO
www.angoworld.com

Product name : Cherry Moon
Product ref : CL10023

Type : Mains voltage ceiling light
Lamp base type : E27/E26 screw fitting
Lamp type : LED Filament 8W
Diffuser material : Silk cocoon (cherry red)
Base Material : Hand finished stainless steel
Size : 520 mm W x 520 mm D x 380 mm H
20.5 in W x 20.5 in D x 15 in H
Packaging size : 550 mm W x 550 mm D x 400 mm H
21.5 in W x 21.5 in D x 16 in H

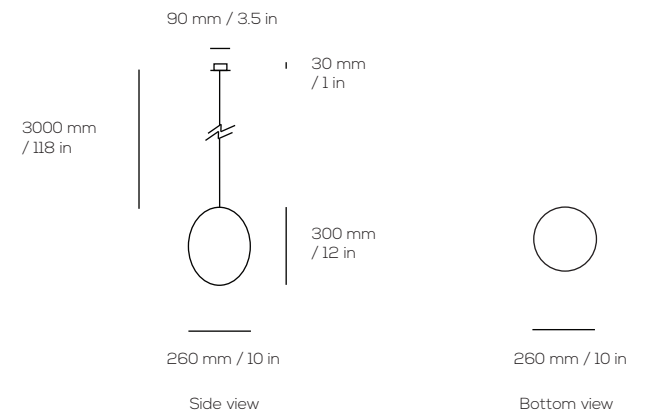




ANGO
www.angoworld.com

Product name : Cascadence (ceiling)
Product ref : CL10029

Type : Mains voltage ceiling light
Lamp base type : G9
Lamp type : G9 LED Filament 3W
Diffuser material : Silk cocoon (natural colour)
Base material : Hand finished stainless steel
Size : 260 mm W x 260 mm D x 300 mm H
10 in W x 10 in D x 12 in H
Packaging size : 300 mm W x 300 mm D x 350 mm H
12 in W x 12 in D x 14 in H

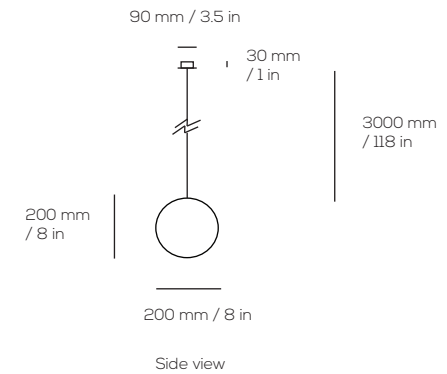




ANGO
www.angoworld.com

Product name : Evolutionette
Product ref : CL12038

Type : Mains voltage ceiling light
Lamp base type : G9
Lamp type : G9 LED Filament 3W
Diffuser material : Silk cocoon (natural colour)
Base material : Hand finished stainless steel
Size : 200 mm W x 200 mm D x 200 mm H
8 in W x 8 in D x 8 in H
Packaging size : 250 mm W x 250 mm D x 250 mm H
10 in W x 10 in D x 10 in H

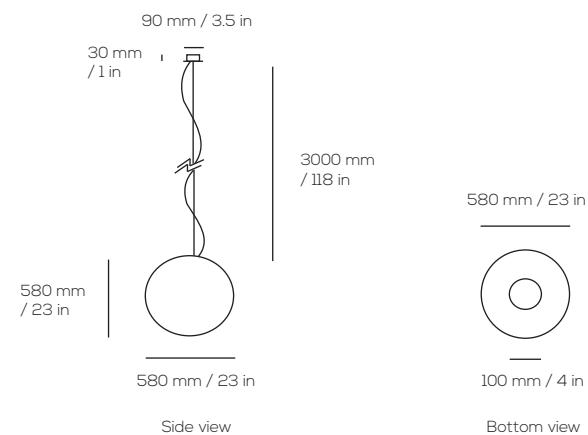




ANGO
www.angoworld.com

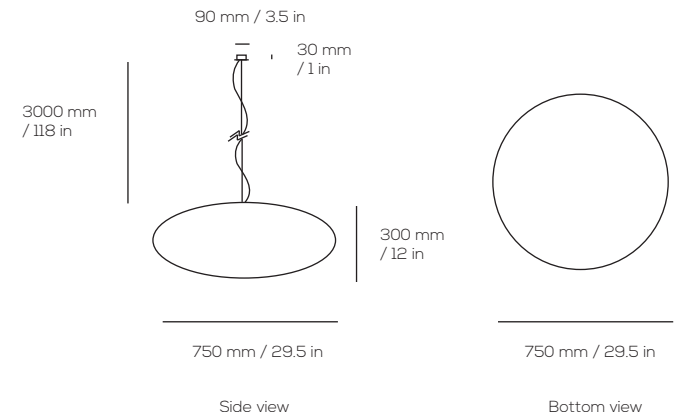
Product name : Evolutionary
Product ref : CL12040

Type : Mains voltage ceiling light
Lamp base type : E27/E26 screw fitting
Lamp type : LED Filament 8W
Diffuser material : Silk cocoon (natural colour)
Base Material : Hand finished stainless steel
Size : 580 mm W x 580 mm D x 580 mm H
23 in W x 23 in D x 23 in H
Packaging size : 700 mm W x 700 mm D x 600 mm H
27.5 in W x 27.5 in D x 23.5 in H



Product name : New World
Product ref : CL13046

Type : Mains voltage ceiling light
Lamp base type : E27/E26 screw fitting
Lamp type : LED Filament 8W x 3
Diffuser material : Rattan
Base Material : Hand finished stainless steel
Size : 750 mm W x 750 mm D x 300 mm H
29.5 in W x 29.5 in D x 12 in H
Packaging size : 800 mm W x 800 mm D x 430 mm H
31.5 in W x 31.5 in D x 17 in H

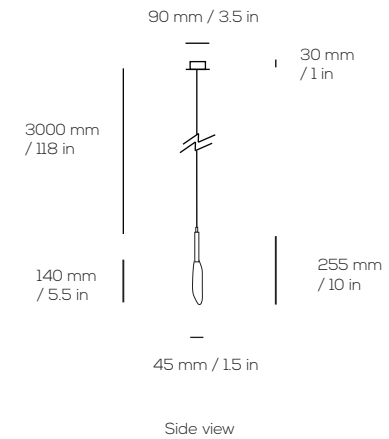




ANGO
www.angoworld.com

Product name : Firmament-1 (gold)
Product ref : CL13047

Type : Mains voltage ceiling light
Lamp base type : G9
Lamp type : LED G9 2.0 2W Luxram (no.715090203)
Diffuser material : Handworked steel + gold
Base Material : Hand finished stainless steel with nickel
Size : 45 mm W x 45 mm D x 255 mm H
1.5 in W x 1.5 in D x 10 in H
Packaging size : 70 mm W x 70 mm D x 300 mm H
3 in W x 3 in D x 12 in H

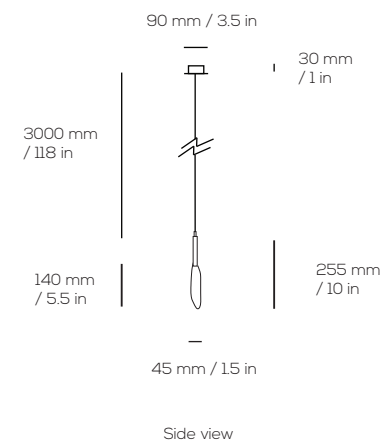




ANGO
www.angoworld.com

Product name : Firmament-1 (silver)
Product ref : CL13048

Type : Mains voltage ceiling light
Lamp base type : G9
Lamp type : LED G9 2.0 2W Luxram (no.715090203)
Diffuser material : Handworked steel + nickel
Base Material : Hand finished stainless steel with powder coat
Size : 45 mm W x 45 mm D x 255 mm H
1.5 in W x 1.5 in D x 10 in H
Packaging size : 70 mm W x 70 mm D x 300 mm H
3 in W x 3 in D x 12 in H

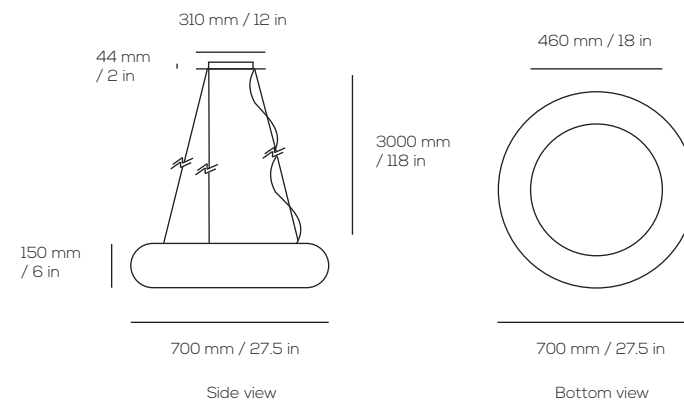




ANGO
www.angoworld.com

Product name : White Crown
Product ref : CL14050

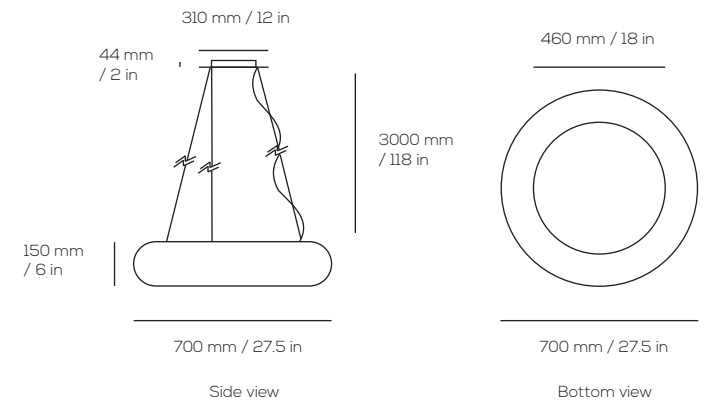
Type : LED ceiling light
Lamp base type : G9
Lamp type : G9 LED Filament 3W x 12
Diffuser material : Silk cocoon (natural colour)
Base Material : Hand finished stainless steel with powder coat
Size : 700 mm W x 700 mm D x 150 mm H
27.5 in W x 27.5 in D x 6 in H
Packaging size : 750 mm W x 750 mm D x 250 mm H
29.5 in W x 29.5 in D x 10 in H



ANGO
www.angoworld.com

Product name : Yellow Crown
Product ref : CL14051

Type : LED ceiling light
Lamp base type : G9
Lamp type : G9 LED Filament 3W x 12
Diffuser material : Rattan
Base Material : Hand finished stainless steel with powder coat
Size : 700 mm W x 700 mm D x 150 mm H
27.5 in W x 27.5 in D x 6 in H
Packaging size : 750 mm W x 750 mm D x 250 mm H
29.5 in W x 29.5 in D x 10 in H

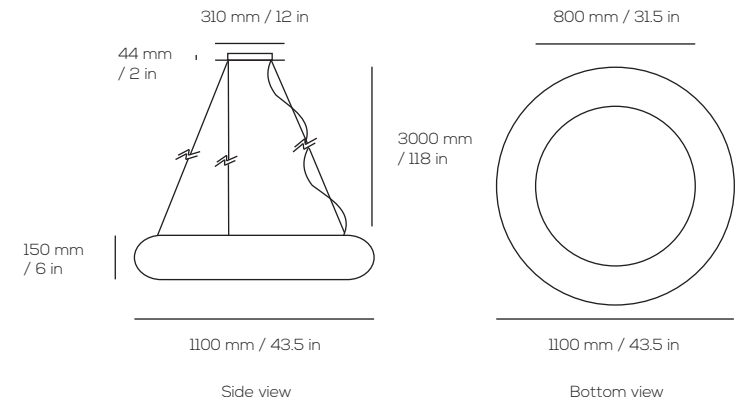




ANGO
www.angoworld.com

Product name : Yellow Crown 1100
Product ref : CL15056

Type : LED ceiling light
Lamp base type : G9
Lamp type : G9 LED Filament 3W x 20
Diffuser material : Rattan
Base Material : Hand finished stainless steel with powder coat
Size : 1100 mm W x 1100 mm D x 150 mm H
43.5 in W x 43.5 in D x 6 in H
Packaging size : 1150 mm W x 1150 mm D x 250 mm H
45.5 in W x 45.5 in D x 10 in H

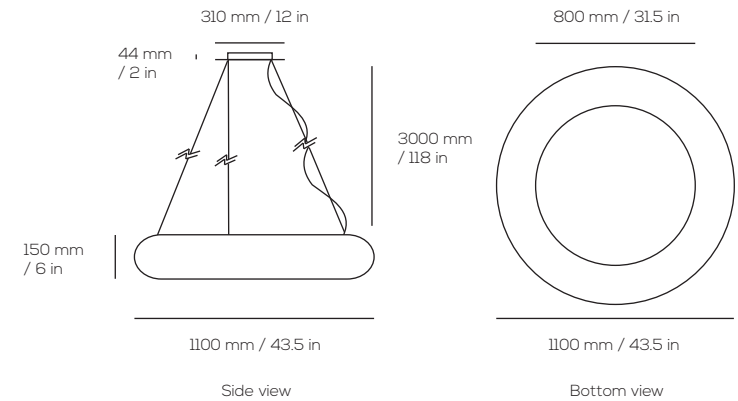


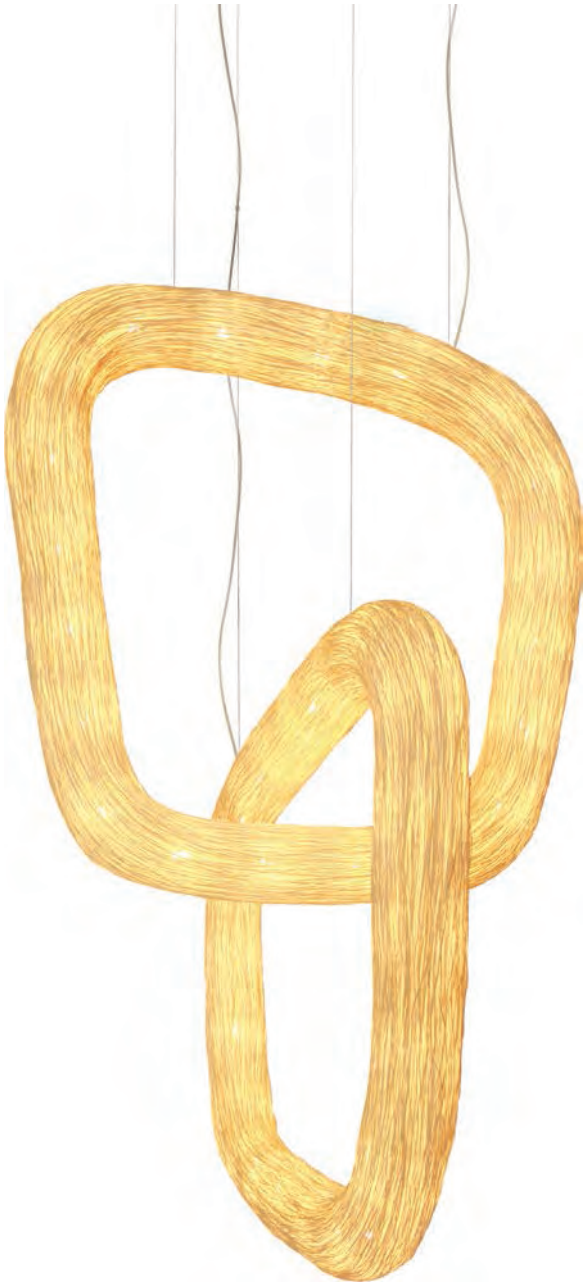


ANGO
www.angoworld.com

Product name : White Crown 1100
Product ref : CL16063

Type : LED ceiling light
Lamp base type : G9
Lamp type : G9 LED Filament 3W x 20
Diffuser material : Mulberry tree bark
Base Material : Hand finished stainless steel with powder coat
Size : 1100 mm W x 1100 mm D x 150 mm H
43.5 in W x 43.5 in D x 6 in H
Packaging size : 1150 mm W x 1150 mm D x 250 mm H
45.5 in W x 45.5 in D x 10 in H





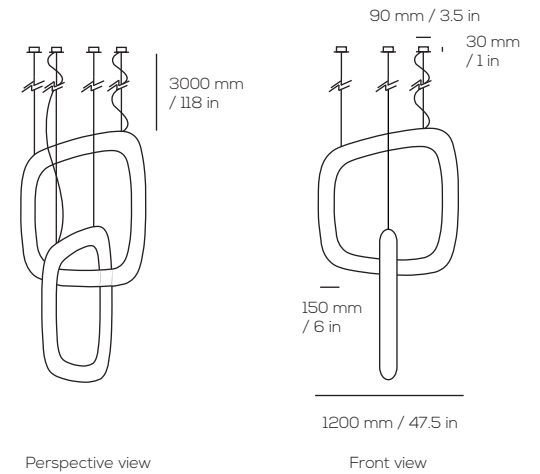
ANGO
www.angoworld.com

Product name : Double Orbit V
Product ref : CL17068

Type : LED ceiling light
Lamp base type : G9
Lamp type : G9 LED Filament 3W x 40
Diffuser material : Rattan
Base Material : Hand finished stainless steel
Size : 1200 mm W x 1200 mm D x 1700 mm H
47.5 in W x 47.5 in D x 67 in H
Packaging size : 1350 mm W x 1350 mm D x 350 mm H
53 in W x 53 in D x 13.5 in H



1700 mm
/ 67 in

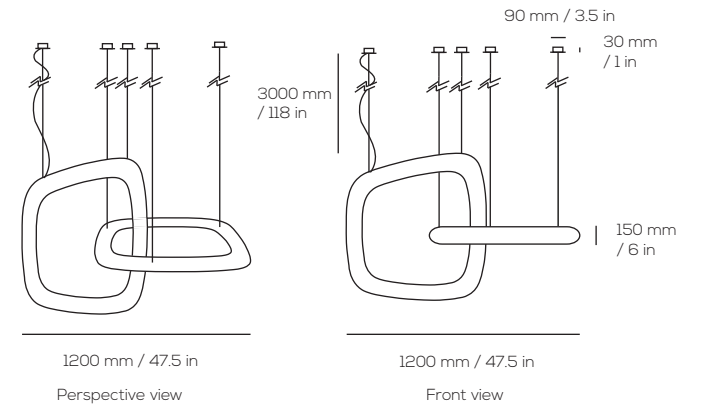


Product name : Double Orbit H
Product ref : CL17068

Type : LED ceiling light
Lamp base type : G9
Lamp type : G9 LED Filament 3W x 40
Diffuser material : Rattan
Base Material : Hand finished stainless steel
Size : 1700 mm W x 1200 mm D x 17200 mm H
67 in W x 47.5 in D x 47.5 in H
Packaging size : 1350 mm W x 1350 mm D x 350 mm H
53 in W x 53 in D x 13.5 in H



1700 mm
/ 67 in

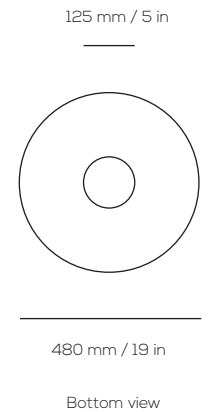
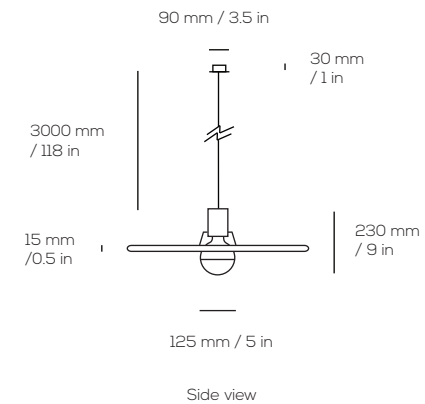




ANGO
www.angoworld.com

Product name : Auroral (gold)
Product ref : CL17071

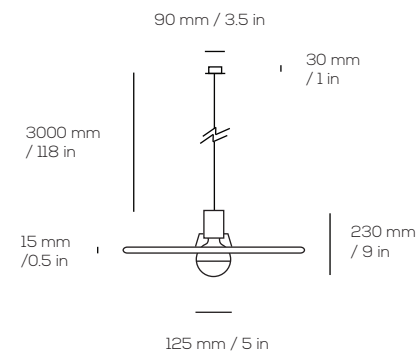
Type : LED ceiling light
Lamp base type : E27/E26 screw fitting
Lamp type : LED Filament classic gold top 8W
Diffuser material : Handworked steel + gold
Base Material : Hand finished stainless steel
Size : 480 mm W x 480 mm D x 230 mm H
19 in W x 19 in D x 9 in H
Packaging size : 550 mm W x 550 mm D x 350 mm H
21.5 in W x 21.5 in D x 13.5 in H



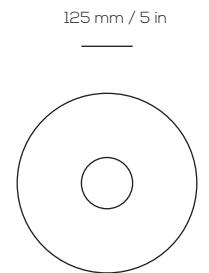
ANGO
www.angoworld.com

Product name : Auroral (silver)
Product ref : CL17072

Type : LED ceiling light
Lamp base type : E27/E26 screw fitting
Lamp type : LED Filament classic nickel top 8W
Diffuser material : Handworked steel + nickel
Base Material : Hand finished stainless steel
Size : 480 mm W x 480 mm D x 230 mm H
19 in W x 19 in D x 9 in H
Packaging size : 550 mm W x 550 mm D x 350 mm H
21.5 in W x 21.5 in D x 13.5 in H



Side view



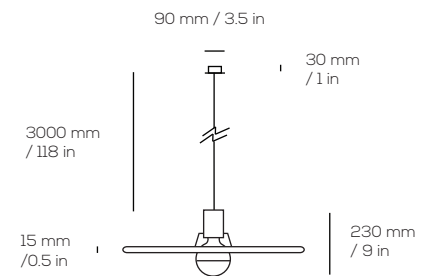
Bottom view



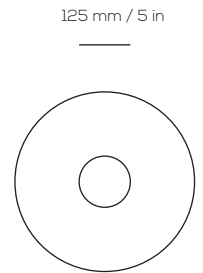
ANGO
www.angoworld.com

Product name : Auroral (copper)
Product ref : CL17073

Type : LED ceiling light
Lamp base type : E27/E26 screw fitting
Lamp type : LED Filament classic copper top 8W
Diffuser material : Handworked steel + copper
Base Material : Hand finished stainless steel
Size : 480 mm W x 480 mm D x 230 mm H
19 in W x 19 in D x 9 in H
Packaging size : 550 mm W x 550 mm D x 350 mm H
21.5 in W x 21.5 in D x 13.5 in H



Side view



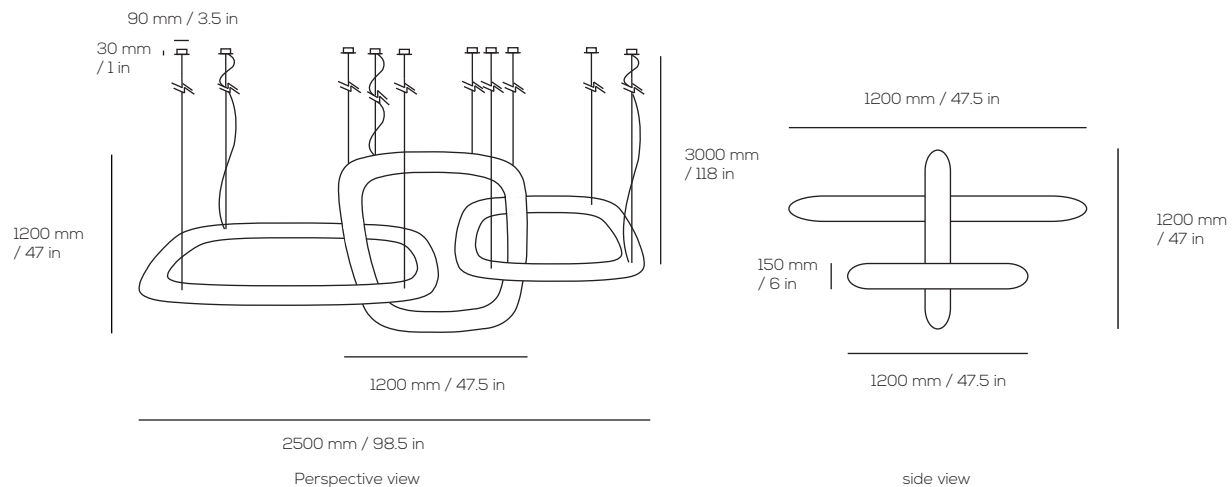
Bottom view



ANGO
www.angoworld.com

Product name : Triple Orbit
Product ref : CL19076

Type : LED ceiling light
 Lamp base type : G9
 Lamp type : G9 LED Filament 3W x 77
 Diffuser material : Rattan
 Base Material : Hand finished stainless steel
 Size : 2500 mm W x 1500 mm D x 1200 mm H
 98.5 in W x 59 in D x 47 in H
 Packaging size : 1200 mm W x 1500 mm D x 500 mm H
 47 in W x 59 in D x 19.5 in H





ANGO
www.angoworld.com

Product name : Cloud (silver)

Product ref : CL20080

Type : LED ceiling light

Lamp base type : E27/E26 screw fitting

Lamp type : LED Filament G125 opal 8W

Diffuser material : Handworked steel + nickel

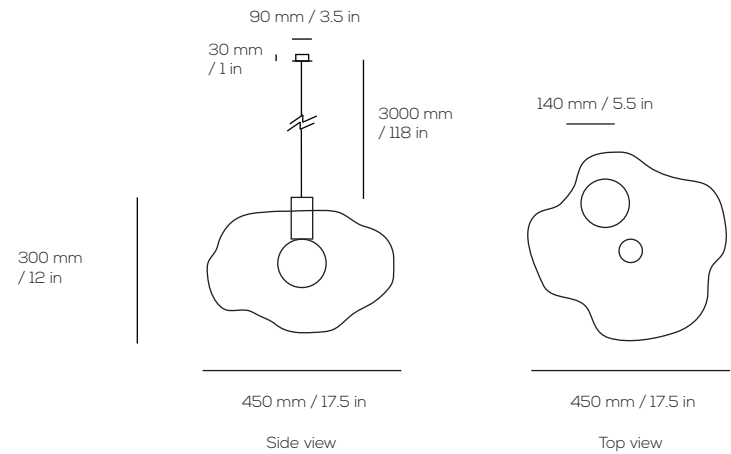
Base Material : Hand finished stainless steel

Size : 450 mm W x 450 mm D x 300 mm H

17.5 in W x 17.5 in D x 12 in H

Packaging size : 500 mm W x 500 mm D x 400 mm H

19.5 in W x 19.5 in D x 15.5 in H





ANGO
www.angoworld.com

Product name : Cloud (brass)

Product ref : CL20082

Type : LED ceiling light

Lamp base type : E27/E26 screw fitting

Lamp type : LED Filament G125 opal 8W

Diffuser material : Handworked steel + brass

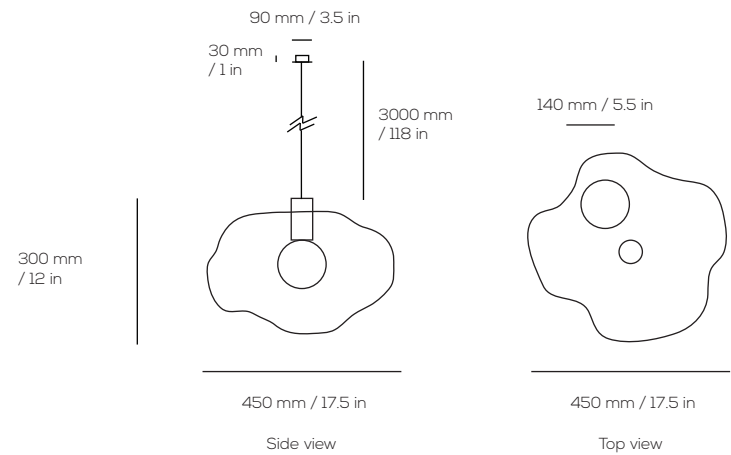
Base Material : Hand finished stainless steel

Size : 450 mm W x 450 mm D x 300 mm H

17.5 in W x 17.5 in D x 12 in H

Packaging size : 500 mm W x 500 mm D x 400 mm H

19.5 in W x 19.5 in D x 15.5 in H





ANGO
www.angoworld.com

Product name : Cloud (copper)

Product ref : CL20082

Type : LED ceiling light

Lamp base type : E27/E26 screw fitting

Lamp type : LED Filament G125 opal 8W

Diffuser material : Handworked steel + copper

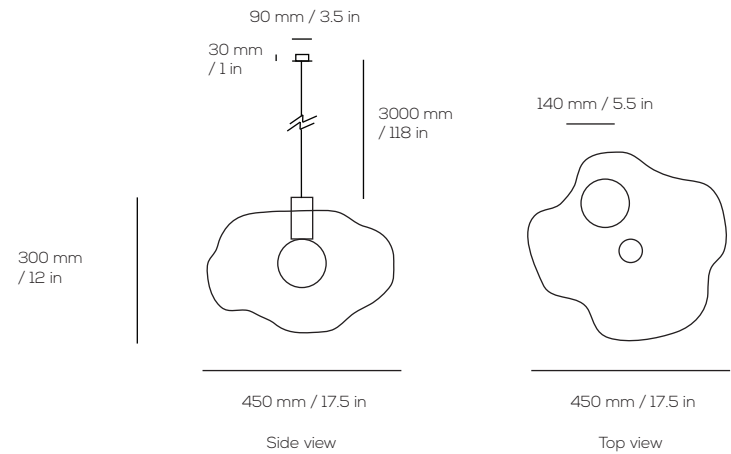
Base Material : Hand finished stainless steel

Size : 450 mm W x 450 mm D x 300 mm H

17.5 in W x 17.5 in D x 12 in H

Packaging size : 500 mm W x 500 mm D x 400 mm H

19.5 in W x 19.5 in D x 15.5 in H

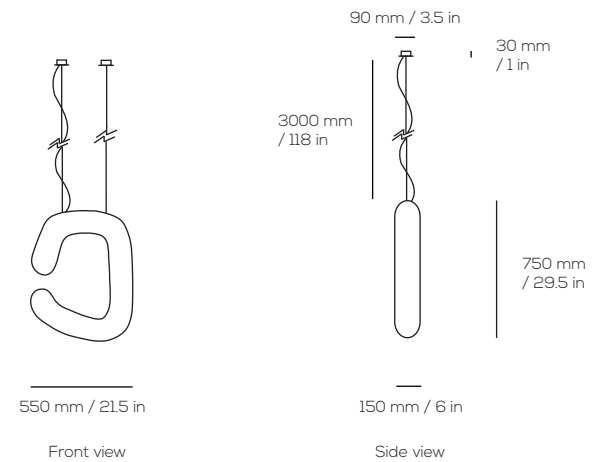




ANGO
www.angoworld.com

Product name : Orbette (4 pcs Orbette)
Product ref : CL23084

Type : Mains voltage modular pendant light system
Lamp base type : G9
Lamp type : G9 LED Filament 3W x 13
Diffuser material : Rattan
Base Material : Hand finished stainless steel
Size : 550 mm W x 150 mm D x 750 mm H
21.5 in W x 6 in D x 29.5 in H
Packaging size : 800 mm W x 600 mm D x 200 mm H
31.5 in W x 23.5 in D x 8 in H

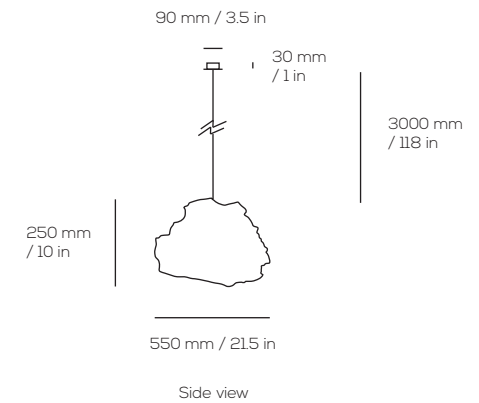




ANGO
www.angoworld.com

Product name : Transcendence 1 (4 pcs Transcendence 1)
Product ref : CL23085

Type : Mains voltage modular pendant light system
Lamp base type : E27/E26 screw fitting
Lamp type : LED Filament 6W
Diffuser material : Tree bark fibre with plant derived stabiliser
and recycled fishing net
Base Material : Hand finished stainless steel
Size : 500 mm W x 500 mm D x 300 mm H
21.5 in W x 21.5 in D x 10 in H
Packaging size : 550 mm W x 550 mm D x 350 mm H
21.5 in W x 21.5 in D x 14 in H



ANGO
www.angoworld.com

Product name : Transcendence suspension 3

Product ref : CL23086

Type : Mains voltage ceiling light

Lamp base type : E27/E26 screw fitting

Lamp type : LED A60 filament 6W x 3

Diffuser material : Advanced composite material created with
mulberry fibre and recycled fishing net

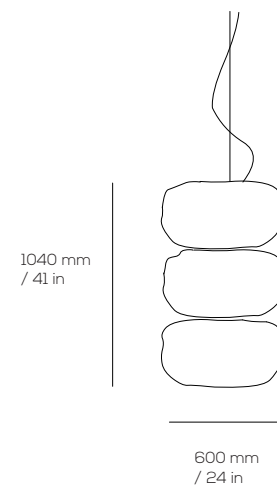
Base material : Hand finished stainless steel

Size : 600 mm W x 600 mm D x 1040 mm H

24 in W x 24 in D x 41 in H

Packaging size : 650 mm W x 650 mm D x 1100 mm H

25.5 in W x 25.5 in D x 43 in H



Front view

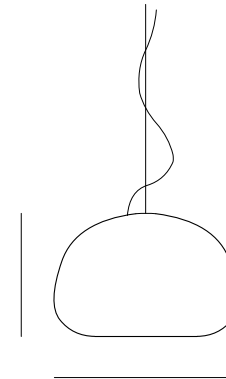


ANGO
www.angoworld.com

Product name : Shelter pendant
Product ref : CL23087

Type : Mains voltage indoor / outdoor pendant light
Lamp base type : E27/E26 screw fitting
Lamp type : : LED G125 filament 8W x 2
Diffuser material : Recycled polypropylene + steel
Base material : Hand finished stainless steel
Size : 510 mm W x 510 mm D x 350 mm H
20 in W x 20 in D x 14 in H
Packaging size : 560 mm W x 560 mm D x 400 mm H
22 in W x 22 in D x 16 in H

350 mm
/ 14 in



510 mm
/ 20 in

Front view

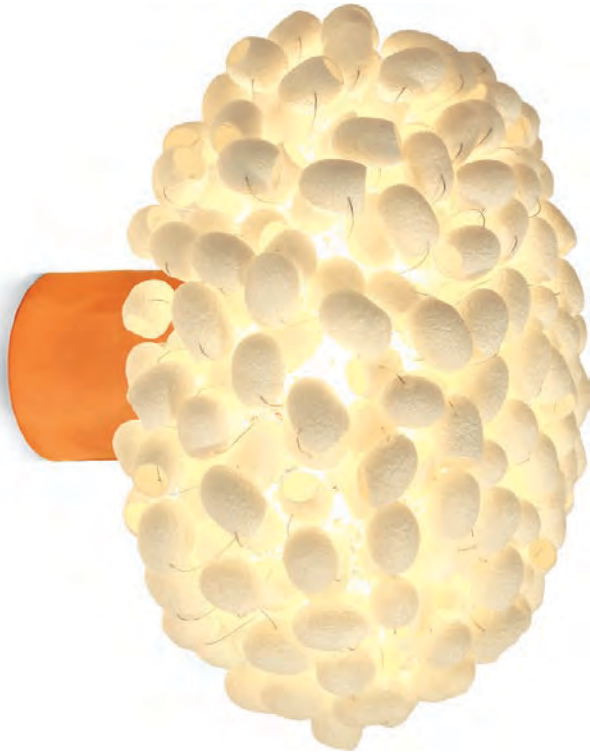


Wall lights

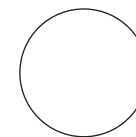
ANGO Designs

Product name : Unit (wall-C)
Product ref : WL16006

Type : Mains voltage wall light
Lamp base type : E27/E26 screw fitting
Lamp type : LED Filament 8W
Diffuser material : Silk cocoon
Base Material : Hand finished stainless steel with copper
Size : 300 mm W x 300 mm D x 240 mm H
12 in W x 12 in D x 9.5 in H
Packaging size : 380 mm W x 380 mm D x 260 mm H
15 in W x 15 in D x 10 in H

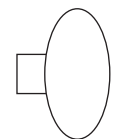


300 mm
/ 12 in



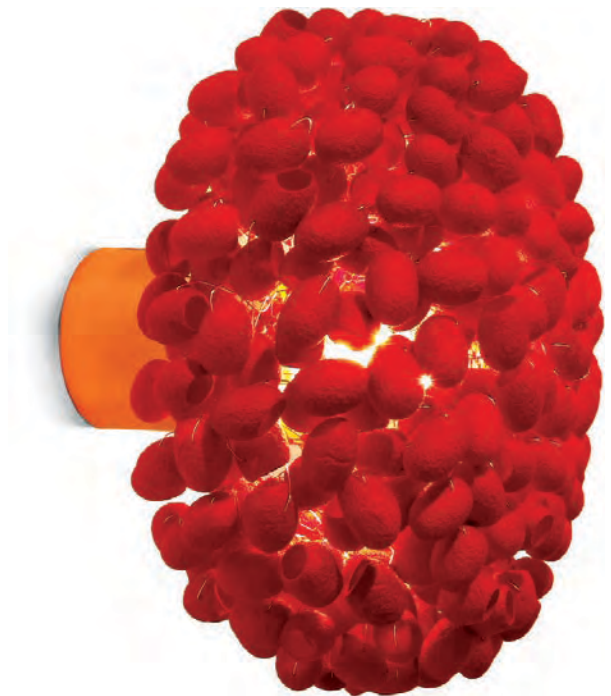
300 mm / 12 in

Front view



300 mm / 12 in

Side view



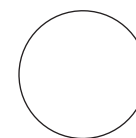
ANGO
www.angoworld.com

Product name : Unit (wall-C) red
Product ref : WL16006

Type : Mains voltage wall light
Lamp base type : E27/E26 screw fitting
Lamp type : LED Filament 8W
Diffuser material : Silk cocoon (cherry red)
Base Material : Hand finished stainless steel with copper
Size : 300 mm W x 300 mm D x 240 mm H
12 in W x 12 in D x 9.5 in H
Packaging size : 380 mm W x 380 mm D x 260 mm H
15 in W x 15 in D x 10 in H

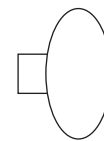


300 mm
/ 12 in



300 mm / 12 in

Front view



300 mm / 12 in

Side view



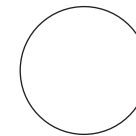
ANGO
www.angoworld.com

Product name : Unit (wall-C) black
Product ref : WL16006

Type : Mains voltage wall light
Lamp base type : E27/E26 screw fitting
Lamp type : LED Filament 8W
Diffuser material : Silk cocoon (ebony black)
Base Material : Hand finished stainless steel with copper
Size : 300 mm W x 300 mm D x 240 mm H
12 in W x 12 in D x 9.5 in H
Packaging size : 380 mm W x 380 mm D x 260 mm H
15 in W x 15 in D x 10 in H

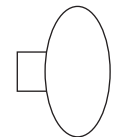


300 mm
/ 12 in



300 mm / 12 in

Front view



300 mm / 12 in

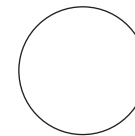
Side view

Product name : Unit (wall-R)
Product ref : WL16007

Type : Mains voltage wall light
Lamp base type : E27/E26 screw fitting
Lamp type : LED Filament 8W
Diffuser material : Rattan
Base Material : Hand finished stainless steel with copper
Size : 300 mm W x 300 mm D x 240 mm H
12 in W x 12 in D x 9.5 in H
Packaging size : 380 mm W x 380 mm D x 260 mm H
15 in W x 15 in D x 10 in H

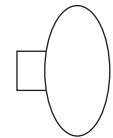


300 mm
/ 12 in



300 mm / 12 in

Front view



300 mm / 12 in

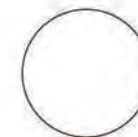
Side view

Product name : Unit (wall-M)
Product ref : WL16008

Type : Mains voltage wall light
Lamp base type : E27/E26 screw fitting
Lamp type : LED Filament 8W
Diffuser material : Mulberry tree bark
Base Material : Hand finished stainless steel with copper
Size : 300 mm W x 300 mm D x 240 mm H
12 in W x 12 in D x 9.5 in H
Packaging size : 380 mm W x 380 mm D x 260 mm H
15 in W x 15 in D x 10 in H

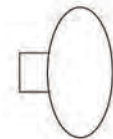


300 mm
/ 12 in



300 mm / 12 in

Front view



300 mm / 12 in

Side view



Outdoor / Semi Outdoor Light

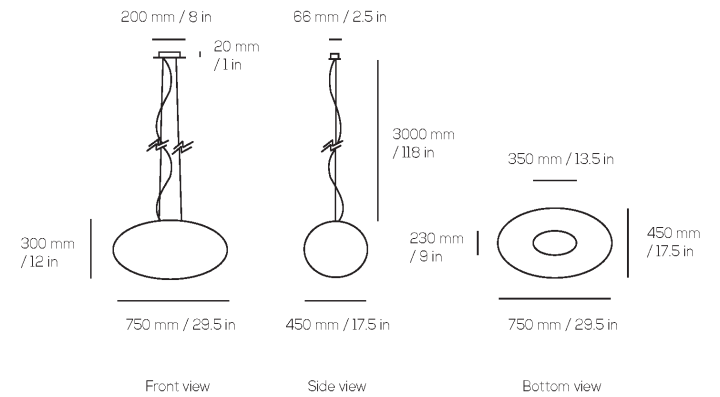
Ango Designs

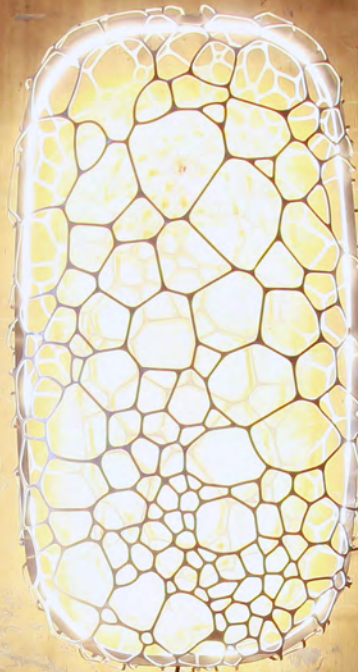
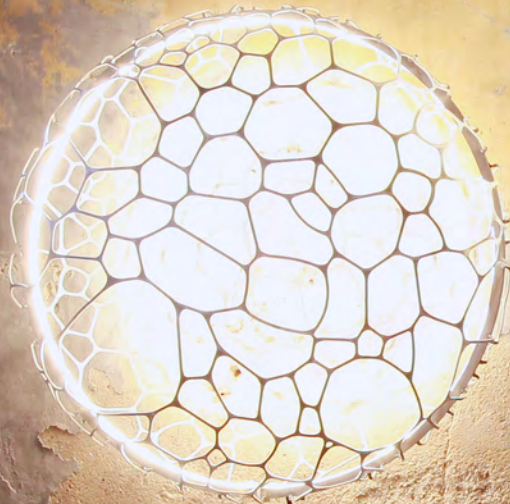


ANGO
www.angoworld.com

Product name : Flow
Product ref : CL23088

Type : Mains voltage indoor / outdoor pendant light
Lamp base type : E27/E26 screw fitting
Lamp type : LED G125 filament 8W x 2
Diffuser material : Advanced composite material created with stainless steel and recycled fishing net
Base Material : Hand finished stainless steel
Size : 750 mm W x 450 mm D x 300 mm H
29.5 in W x 17.5 in D x 12 in H
Packaging size : 800 mm W x 500 mm D x 350 mm H
31.5 in W x 19.5 in D x 13.5 in H





Product name : Falong (oval)
Product ref : OC22004

Type : Mains voltage outdoor light
Lamp type : Integrated COB LED IP65
Diffuser material : Aluminum
Size : 450 mm W x 800 mm D x 300 mm H
17.5 in W x 31.5 in D x 12 in H

Product name : Falong (circle)
Product ref : OC22003

Type : Mains voltage outdoor light
Lamp type : Integrated COB LED IP65
Diffuser material : Aluminum
Size : 600 mm W x 600 mm D x 300 mm H
23.5 in W x 23.5 in D x 12 in H



Furniture

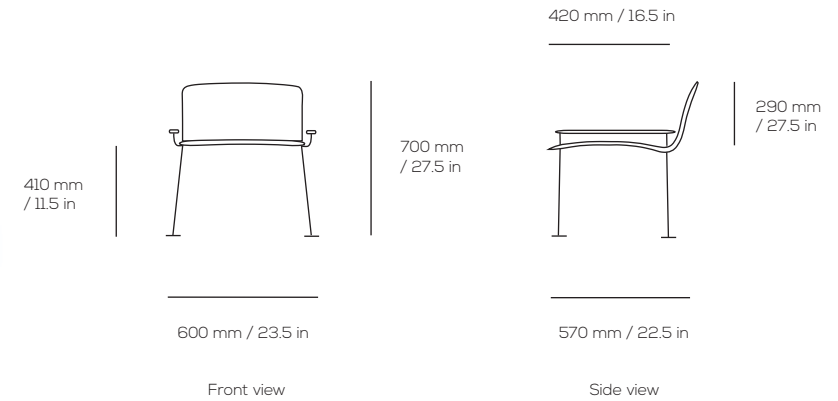
Ango Designs



ANGO
www.angoworld.com

Product name : Garden Boy
Product ref : FN06001

Type : Indoor / outdoor chair
Material : Hand finished stainless steel
Size : 600 mm W x 570 mm D x 700 mm H
23.5 in W x 22.5 in D x 27.5 in H
Packaging size : 650 mm W x 620 mm D x 750 mm H
25.5 in W x 24.5 in D x 29.5 in H

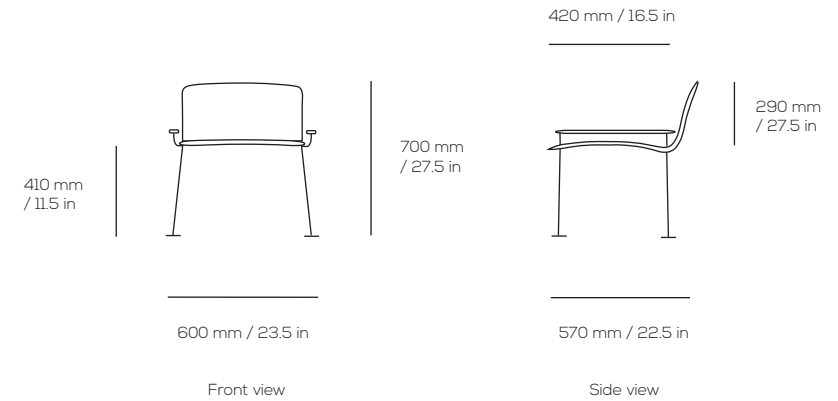




ANGO
www.angoworld.com

Product name : Garden Boy (copper)
Product ref : FN17004

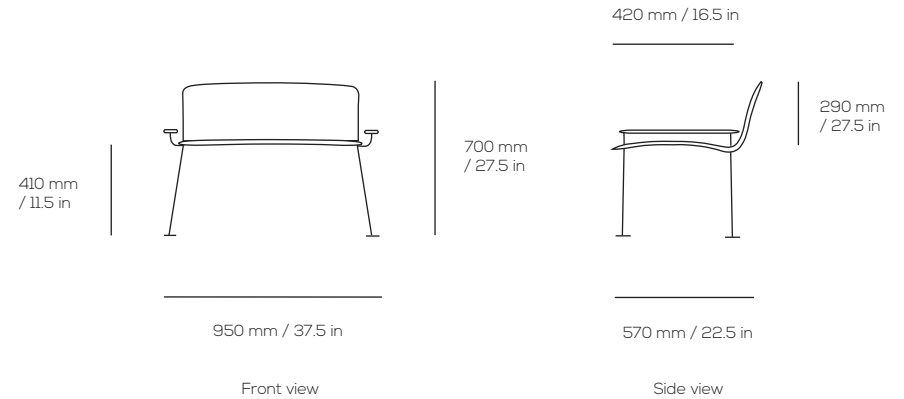
Type : Indoor / outdoor chair
Material : Hand finished stainless steel with
copper PVD coating
Size : 600 mm W x 570 mm D x 700 mm H
23.5 in W x 22.5 in D x 27.5 in H
Packaging size : 650 mm W x 620 mm D x 750 mm H
25.5 in W x 24.5 in D x 29.5 in H





Product name : Garden Boy Bench
Product ref : FN18005

Type : Indoor / outdoor chair
Material : Hand finished stainless steel
Size : 950 mm W x 570 mm D x 700 mm H
37.5 in W x 22.5 in D x 27.5 in H
Packaging size : 1000 mm W x 620 mm D x 750 mm H
39.5 in W x 24.5 in D x 29.5 in H

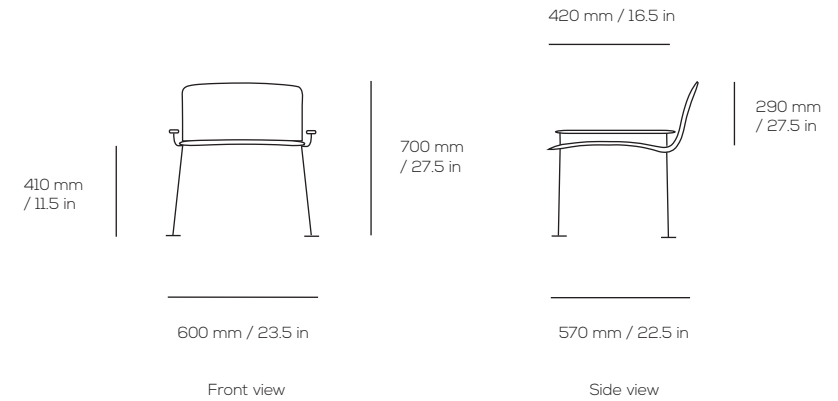




ANGO
www.angoworld.com

Product name : Sylph Chair
Product ref : FN19006

Type : Indoor / outdoor chair
Material : Hand finished stainless steel with
nylon rope
Size : 600 mm W x 570 mm D x 700 mm H
23.5 in W x 22.5 in D x 27.5 in H
Packaging size : 650 mm W x 620 mm D x 750 mm H
25.5 in W x 24.5 in D x 29.5 in H





Enhancement of space through lighting

On location



Chalet Les Granges, France



Rosewood Hotel Bangkok

Interior design by CeliaChu



Huvafen Resort, Maldives

Architect : Topo Design




Hotel Chavanel, Paris, France

Architect : Anne Peyroux and Emmanuelle Thisy



Kirimaya Resort, Khao Yai, Thailand

Architect : Mr. Arnuparb Ornsa-ard ISM Interior Architecture Workshop (Resort)

The image shows a modern, bright interior of a café. The space is characterized by a long, light-colored wooden counter that runs through the center. To the left of the counter, there are several tables with red chairs. A large vase of white cherry blossoms sits on a table near the counter. The ceiling is white with black recessed lighting strips and several pendant lights with a textured, metallic finish. Large windows on the right side of the image provide a view of the city outside. The overall atmosphere is clean, minimalist, and contemporary.

Mary's Café, Tokyo, Japan

Interior Designer : Nanae & Yurie - Spice Interior Designers



Binh Minh Restaurant, Remscheid, Germany

Architect : Heyroth & Kürbitz freie Architekten BDA - hkfa.de



Vana Retreats, Dehradun, India

Architect : Esteva Architects

Lighting consultant : Be Lit



Lake House by Yoo, Cotswolds, UK

Architect : The Yoo Group



Torrabenc Hotel, Menorca, Spain

Architect : Esteva Architects



VIP Lounge, Maison Et Objet Asia, Singapore

Interior Designer : Agence 14 Septembre



Pembridge Place, Notting Hill, UK

Hotel Cubo, Ljubljana, Slovenia

Architect : Raketa Studio





Calm spa, Bangkok, Thailand

Interior designer : Begray



Individualised design

ANGO custom

Ango Custom is the expanding division within Ango that creates special and unique installation lighting pieces for the project sector.

While each piece by Ango is a unique hand crafted limited edition of one, in Ango Custom we go further and whether working with the architect, lighting consultant, interior designer, or direct with the project owner, create something that is entirely original.

A deep expertise in the design, design development, fabrication and installation processes has been built up in the creation of sophisticated space-transformative light solutions, and either calling on existing Ango materials and techniques, or creating new solutions, we have the responsiveness and track record to make it happen.



W Hotel, Koh Samui, Thailand

Architect : P49 Architects Image by Ralf Tooten



Emporium Department Store main entrance

Architect : J + H Boiffils

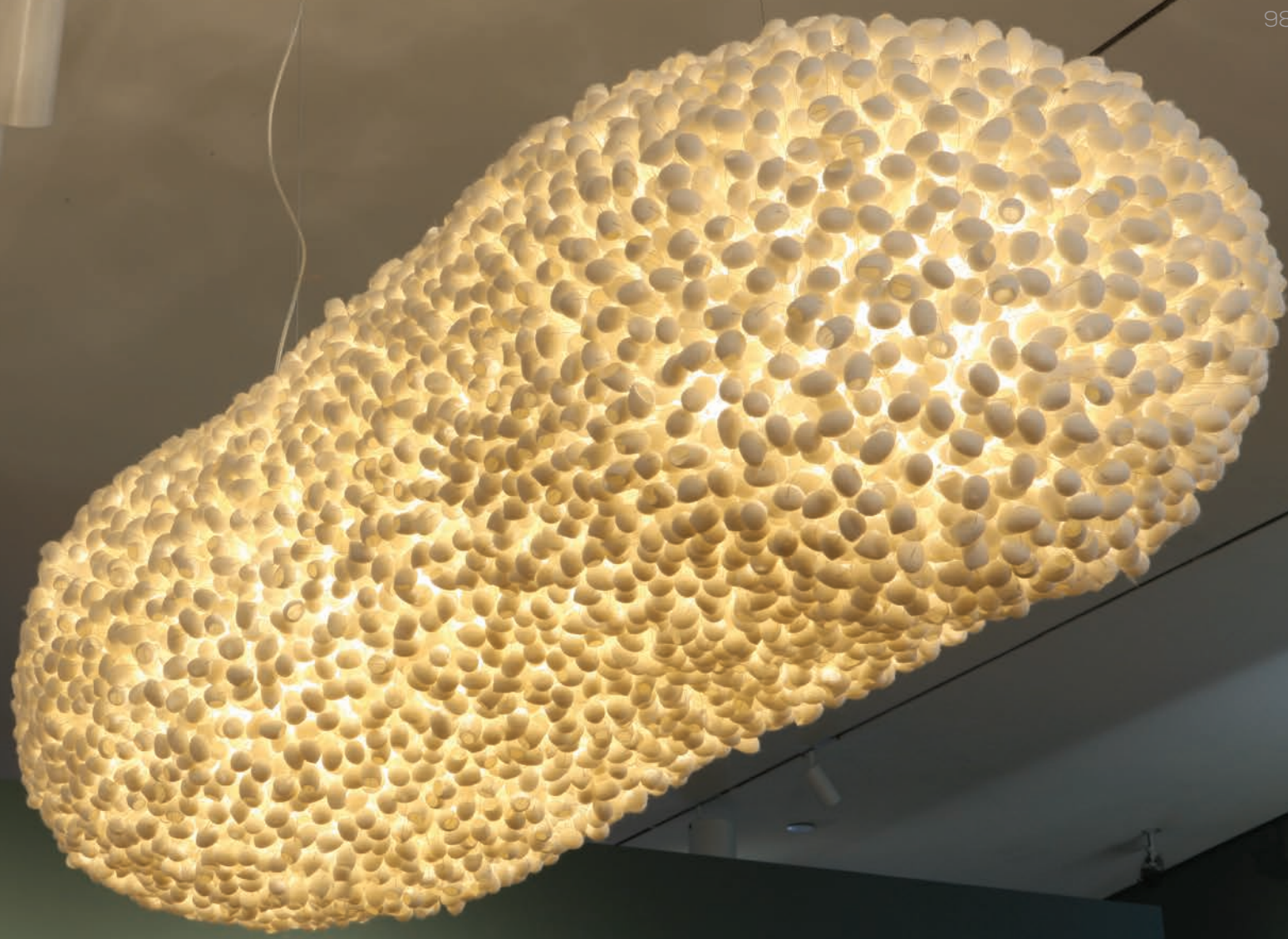


Emporium Department Store central atrium

Architect: J + H Boiffils



Silk cocoon Celebrated



Dead *or* Alive

Museum of Art Design, New York, USA

Image by Ed Watkins



Angoworld Co.,Ltd.

31/7 Soi Suparaht 1,
Phaholyothin Rd., Samsennai,
Payathai, Bangkok 10400
Thailand

Tel : +66 (0) 2 874 7505
Fax : +66 (0) 2 874 7506
Email : contact@angoworld.com
Web : www.angoworld.com

